



IP 67  
ACCORDING TO  
EN 60529:1991+A1:2001  
IEC 60529:2001



### SPECIFICATION:

#### MAX. CURRENT/VOLTAGE RATING WITH RESISTIVE LOAD:

PBS6/S7	400mA 32VAC-100mA 50VDC-125mA 125VAC 500mA 48VAC - 200 mA 50VDC - 200mA 250VAC for metal material.
PBL6	100mA 24VDC-life expectancy 200,000 cycles 2A 125VAC-life expectancy 10,000 cycles

**INITIAL CONTACT RESISTANCE:** 50mΩ max.

**INSULATION RESISTANCE:** 1GΩ min. at 500VDC.

**DIELECTRIC STRENGTH:** 1,000 VAC rms.  
1,500 VAC rms. for metal material.

#### ELECTRICAL LIFE AT FULL LOAD:

PBS6/S7	500,000 cycles.
PBL6	200,000 cycles.

**OPERATING TEMPERATURE:** -30°C to 85°C.

#### PANEL THICKNESS:

B1 series : 0.8 mm (.031) min. -1.8 mm (.071) max.  
B2 series : 1.5 mm (.059) min. -4 mm (.157) max.  
B3 series : 3.0±0.25 mm (.118)

#### TOTAL TRAVEL:

PBS6/S7	1.5 mm (.059)
PBL6	2.5 mm (.098)

**OPERATING FORCE:** 2N~5N

**CONTACT BOUNCE:** 10 ms.

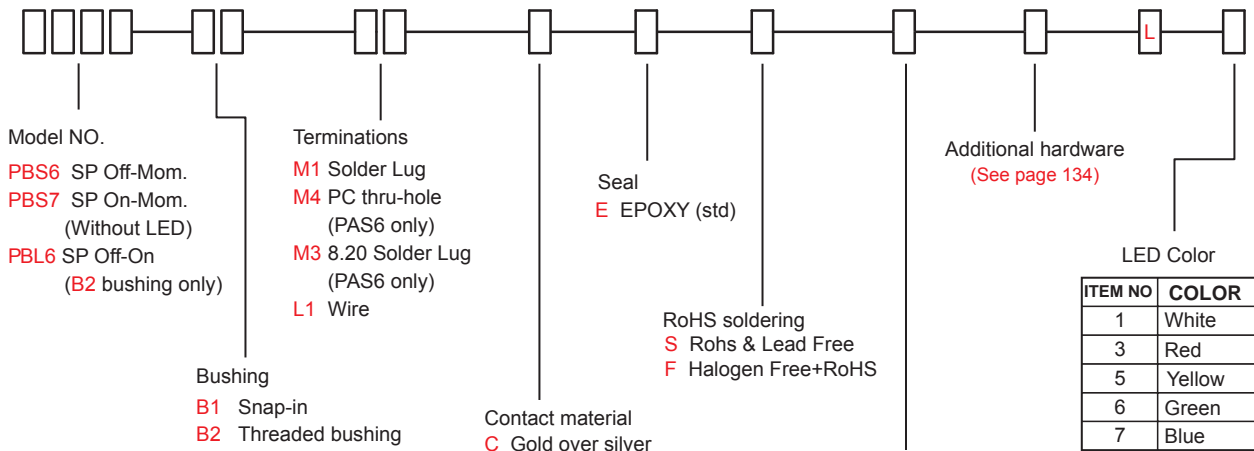
**MECHANICAL LIFE:** 1,000,000 cycles.

**TORQUE:** 0.5 Nm max. applied to nut,  
1.5 Nm max. for metal material.

**SOLDERING:** 350°C max. for 5 seconds.

## HOW TO ORDER

MODEL NO. BUSHING TERMINATIONS CONTACT MATERIAL SEAL RoHS SOLDERING CAP COLOR ADDITIONAL HARDWARE LED LED COLOR



ITEM NO	COLOR
1	White
2	Black (Std)
3	Red (Std)
4	Orange
5	Yellow
6	Green
7	Blue

▲ Please kindly note our standard is with flat cap. If you need round cap, please add "A" before cap color option.

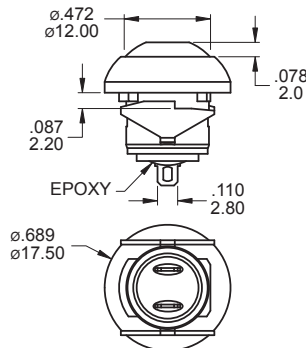
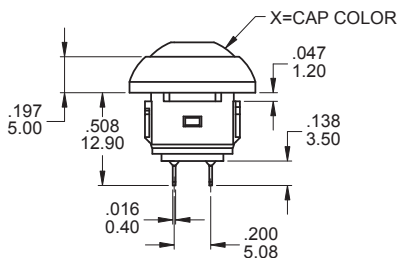
\* Besides standard color, other colors need to check stocks available.

### SWITCH FUNCTION

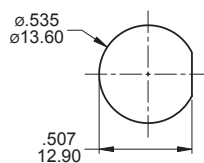
NO. POLES	MODEL NO.	SWITCH FUNCTION		CONNECTED TERMINALS		SCHEMATIC
		POS.1	POS.2	POS.1	POS.2	
SP	PÓ6	OFF	MOM	OPEN	1-3	
SP	PÓ7	ON	OFF(MOM)	1-3	OPEN	
SP	PÓ6	OFF	ON	OPEN	1-3	

MOM=MOMENTARY

**B1**



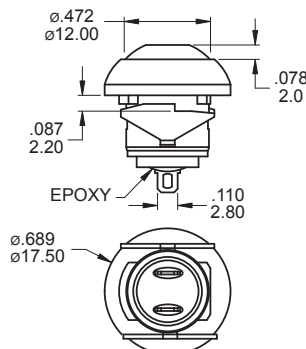
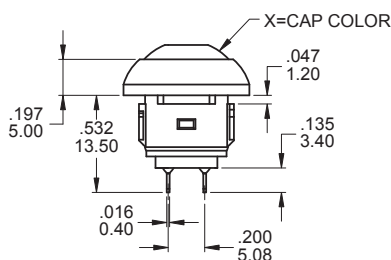
PANEL MOUNTING



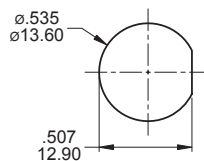
**SPST**

Part No. Shown : PBS6B1M1CESX-5

**B1**



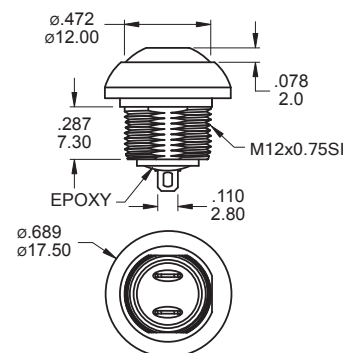
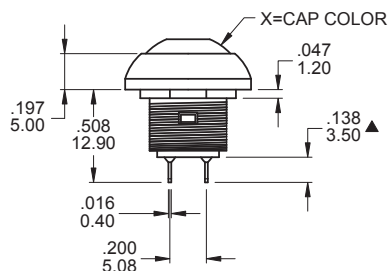
PANEL MOUNTING



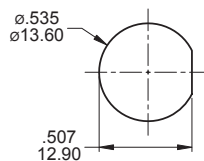
**SPST**

Part No. Shown : PBS7B1M1CESX-5

**B2**



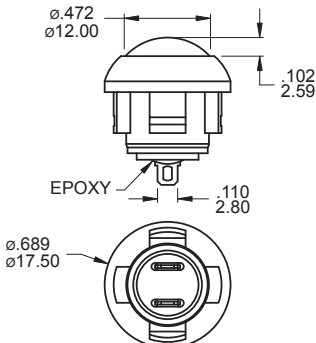
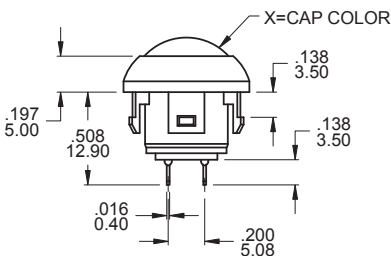
PANEL MOUNTING



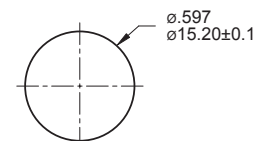
**SPST**

Part No. Shown : PBS6B2M1CESX-5

**B3**

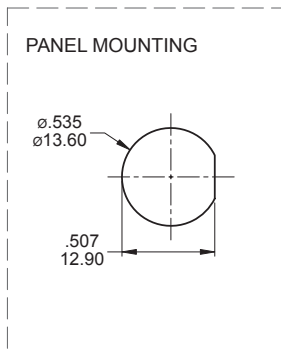
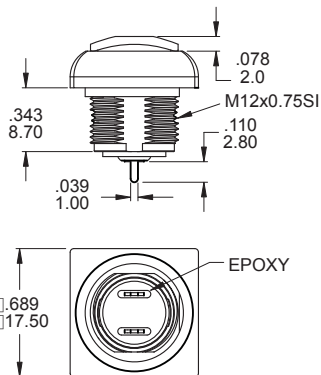
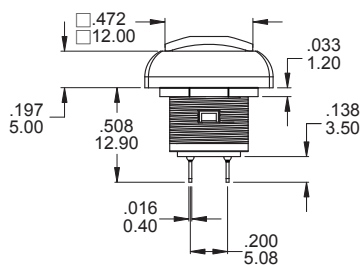


PANEL MOUNTING



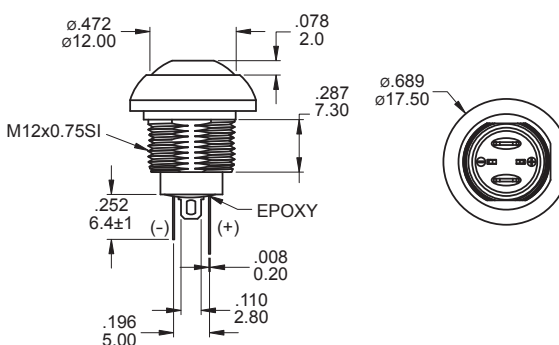
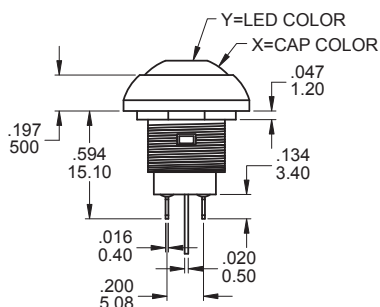
**SPST**

Part No. Shown : PBS6B3M1CESAX-5



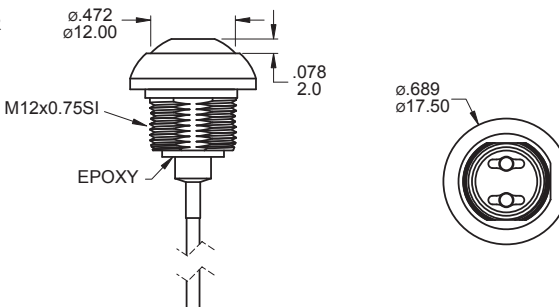
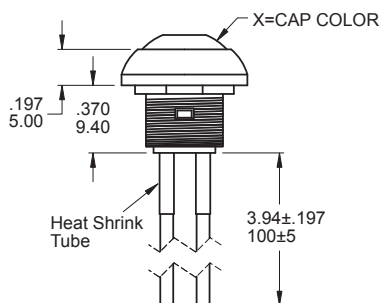
SPST

Part No. Shown : PBS6B6M4CES2-5



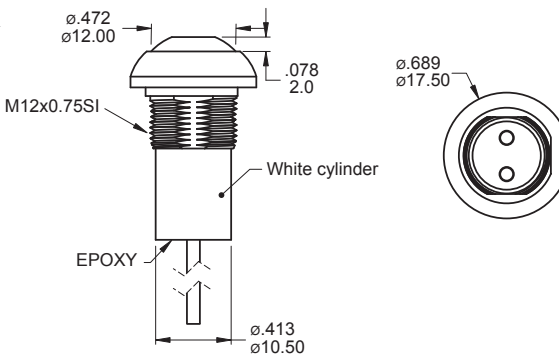
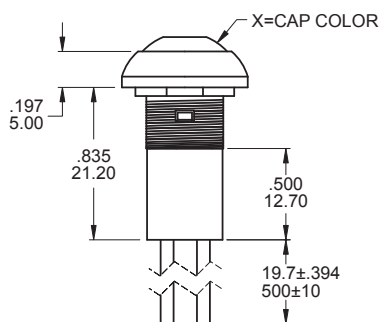
SPST

Part No. Shown : PBS6B2M1CES2-5LY



SPST

Part No. Shown : PBS6B2L3CES3-5



SPST

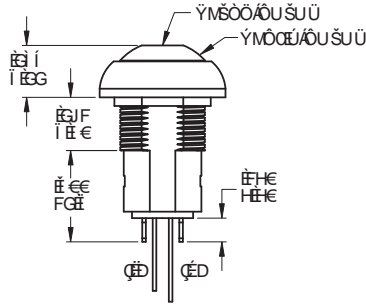
Part No. Shown : PBS6B2L1CES6-5

# PB Series

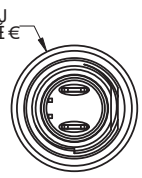
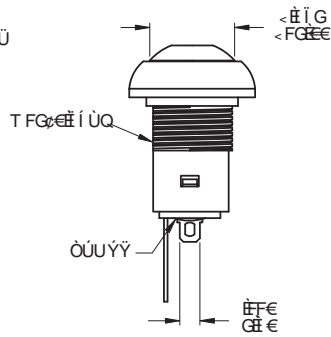
## Sub-Miniature Pushbutton Switches



ÚÚÙ



Part No. Shown: PBL6B2M1CES3-5L5



### BUSHING PLATING



ÚŠÇ/ØÖ  
 ÓŰPØÖ  
 ÓG



Chromium



Tin-nickel Alloy



Stain-chromium

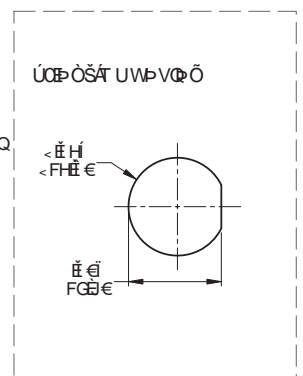
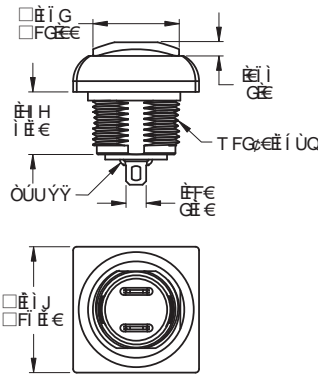
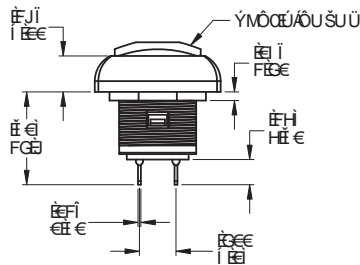


Stain-nickel



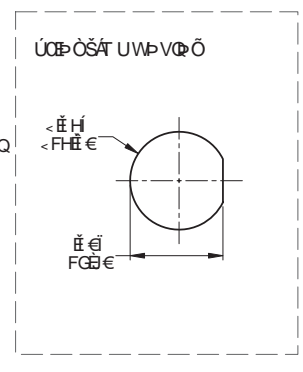
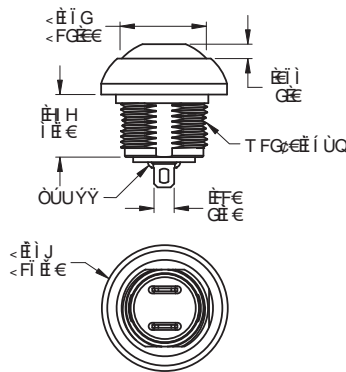
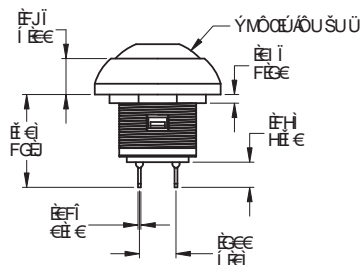
ÚÚÙ

Part No. Shown: PBS6D1M1CES2-5



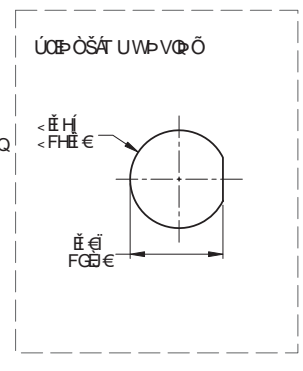
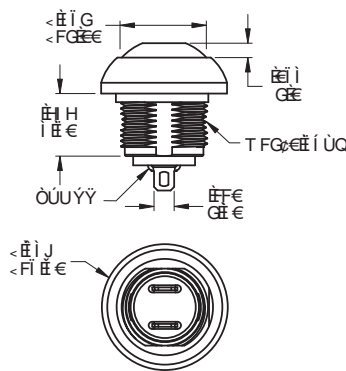
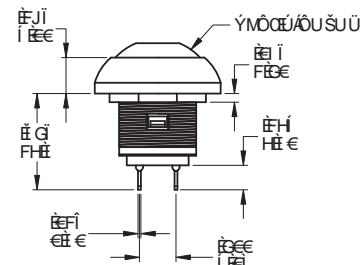
ÚÚÙ

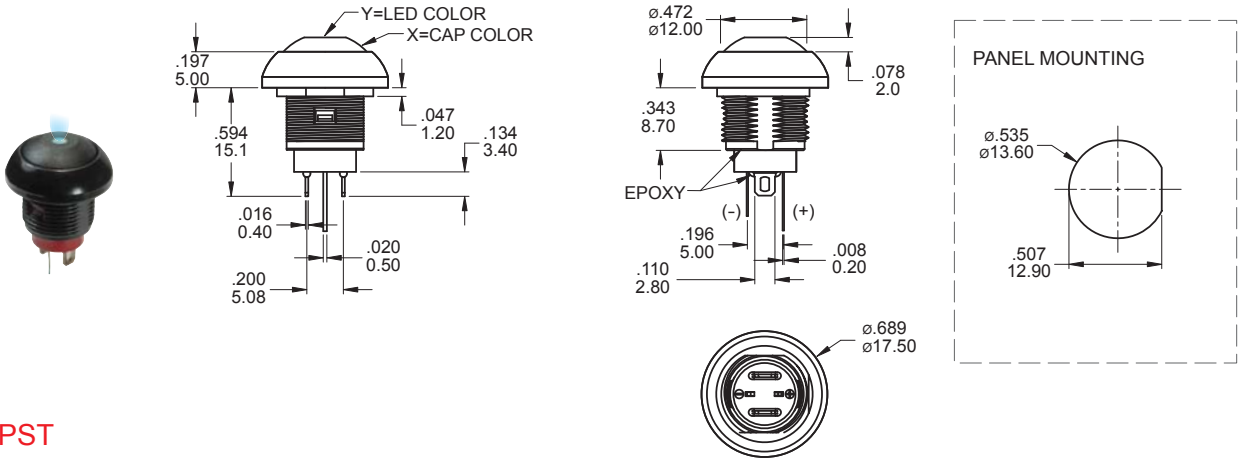
Part No. Shown: PBS6D2M1CES5-5



ÚÚÙ

Part No. Shown: PBS7D2M1CES3-5



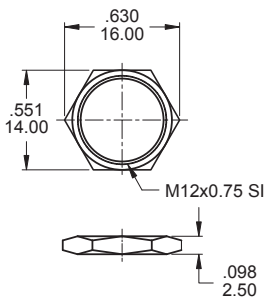


**SPST**

Part No. Shown : PBS6D2M1CESX-5LY

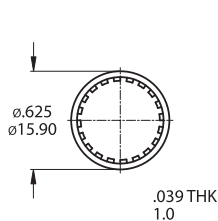
### HARDWARE

#### M12 NUT



**MNU-PB03**

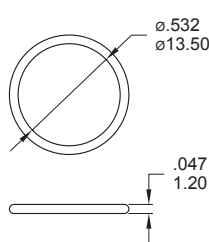
#### LOCK WASHER



**MNU-1M09**

Supplied with B2 / D1 / D2 bushing

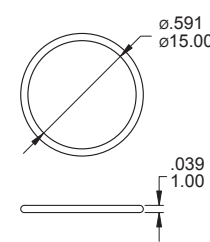
#### O-RING



**FCP-A253**

Supplied with PBL6 and D1 / D2 options

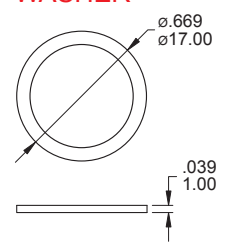
#### O-RING



**MCP-P004**

Supplied standard with B3 options

#### EVA WASHER



**MSU-PB01**

Supplied standard with B1 / B2 options

### SOLDERING PROCESSES

**MANUAL SOLDERING:** Use soldering iron of 30 watts, controlled at 350°C approximately 5 seconds while applying solder.

**WAVE SOLDERING:**

Recommended Soldering Temperature: 260 ± 5°C

Duration of Solder Immersion: Max 5 sec.

(PCB is 1.6mm in thickness)

**IP 67 for the whole series:**  
Protected against the effects of immersion up to 1 m water(30mn)

